

Code No.	Description
8B 731750190	Lid Hinge Spring—L.H.
8B 731750200	Lid Hinge Spring—R.H.
9C 531750020	Lid Hinge Bracket—L.H.
9C 531750030	Lid Hinge Bracket—R.H.
9C 531750070	Pan Hinge Casting
6B 531750080	Pan Hinge Pin
9B 531750110	Adjustable Leg c/w Foot—Front
9B 531750111	Adjustable Leg c/w Foot—Rear
2F 531750120	Outer Side Panel—L.H.
2F 531750130	Outer Side Panel—R.H.
12C 531750140	End Cheek—L.H.
12C 531750141	End Cheek—R.H.
12D 531750160	Pan Side Panel—L.H.
12D 531750170	Pan Side Panel—R.H.

Code No.	Description
3E 531750180	Lid Hinge Block—L.H.
10E 531750210	Lid Hinge Arm—L.H.
10E 531750220	Lid Hinge Arm—R.H.
3C 531750240	Lid Hinge Bar
3E 531750560	Lid Hinge Block—R.H.
9H 531790010	Pan Lid
11F 531790020	Lid Handle
11N 531790030	Pan,
7D 531790040	Pan Facia Panel
6F 531790050	Front Panel
3F 531790060	Bottom Front Panel
3G 531790070	Rear Hob Rail

Sheet Reference Number

E1994/1084/001

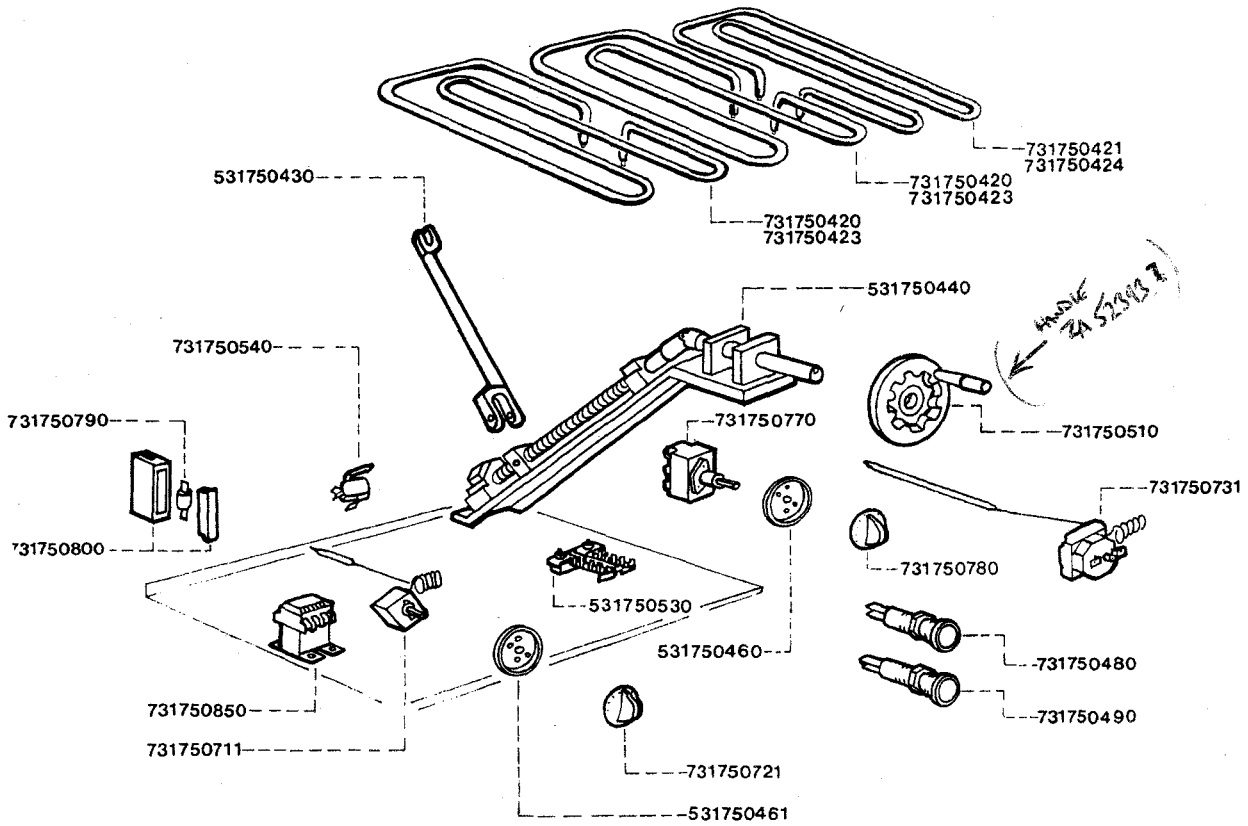
**Falcon Catering
Equipment**
Commercial and institutional
catering equipment

A S Catering Supplies Ltd
The Office, Glenville Place
107-111 Ringwood Road
Walkford, Christchurch
Dorset, BH23 5RA
01425 283881



Falcon Catering Equipment is a
business name of
Glynwed Consumer & Building Products Ltd
a member of the
Glynwed International plc
group of companies

MECHANISM
and ELECTRICS



Code No.	Description
2F 531750430	Jack Arm
5N 531750440	Screw Jack
6B 531750460	Bezel for Simmerstat
6B 531750461	Bezel for Operating Thermostat
9B 531750530	Terminal Block
7F 731750420	Element 240V - L.H.
7F 731750421	Element 240V - R.H.
7F 731750423	Element 220V - L.H.
7F 731750424	Element 220V - R.H.
7B 731750480	Indicator Lamp - Amber
7B 731750490	Indicator Lamp - Red
11J 731750510	Handwheel
10C 731750540	Micro Switch
6E 731750701	Operating Thermostat c/w Knob (not illustrated)
1E 731750711	Operating Thermostat
5C 731750721	Operating Thermostat Knob
3E 731750731	Safety Thermostat
12D 731750760	Simmerstat c/w Knob (not illustrated)
9D 731750770	Simmerstat
8B 731750780	Simmerstat Knob
2C 731750790	Fuse Link 20A
6C 731750800	Fuse Carrier and Base
6G 731750850	Contactors 129A 4U

Sheet Reference Number

E1994/1084/002

**Falcon Catering
Equipment**

Commercial and institutional
catering equipment

A S Catering Supplies Ltd
The Office, Glenville Place
107-111 Ringwood Road
Walkford, Christchurch
Dorset, BH23 5RA
01425 283881



Falcon Catering Equipment is a
business name of
Glynwed Consumer & Building Products Ltd
a member of the
Glynwed International plc
group of companies